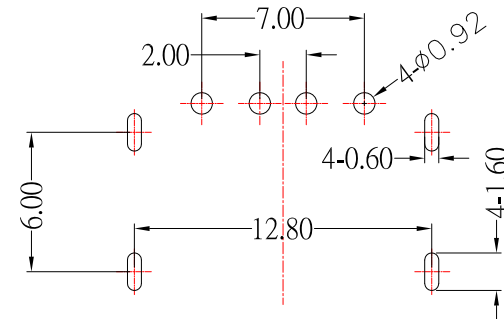
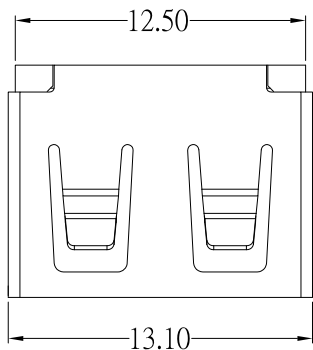


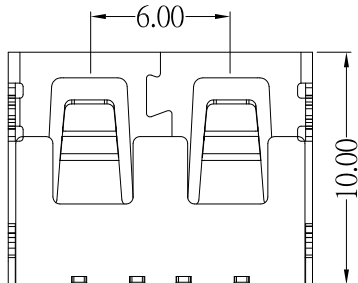
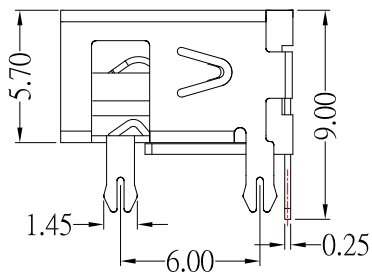
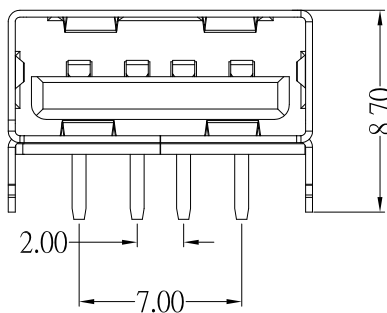


SUA-110H21Ax-x-S236

| | |
|---------------|-----------|
| SHELL : | COLOR : |
| Blank : BRASS | Black: B |
| I : SPCC | White : W |



P.C.B LAYOUT MOUNTING PATTERN



SPECIFICATIONS

Electrical:

- Contact Resistance: 30 mΩ Max
- Dielectric Withstanding Voltage: 500 V AC / 1 minute
- Insulation Resistance: 1,000 MΩ Min

Mechanical:

- Connector Mate and Unmate Force
 - Mate force: 35 N (Max)
 - Unmate force: 10N (Min)

Material:

- Housing: PBT
- Contact: Copper Alloy
- Shell: Brass / Spcc

Finish:

- Contact: Plated Gold in Mating Area ;
Tin Plated on Solder Balls ;
Nickel under plated overall
- Shell: Nickel under Plated surface layer

| | | | |
|----------|-------------|-------|------|
| ITEM NO. | DESCRIPTION | DRAWN | DATE |
| | | | |

CONTACT 建倚科技股份有限公司
CONTACT TECHNOLOGY CORP.

| | | | | |
|-------------------------------------|--------------------|--------------|-------|----|
| TOLERANCE UNLESS OTHERWISE STATED : | Up to 5 ±0.2 | 3RD. ANGEL'S | UNITS | MM |
| | Above 5 ~ 15 ±0.3 | | | |
| | Above 15 ~ 30 ±0.4 | | | |
| | Above 30 ~ 50 ±0.5 | | | |
| | Angle ±0.3° | | | |

| | | | | |
|--------------|----------|-----------|----------|--------------------------|
| DRAWN BY: | DATE | MAT'L | TITLE | CONNECTOR |
| Jack Lu | 06/24/20 | | | |
| CHECKED BY: | DATE | FINISH | MODLE | USB AF 短體 10.0 無捲邊 4腳 反向 |
| Jacky Chen | 06/24/20 | | | |
| APPROVED BY: | DATE | SCALE | DWG NO. | SUA-110H21Ax-x-S236 |
| Tony Kao | 06/24/20 | 1 : 1 | | |
| | | SHEET NO. | PART NO. | SUA-110H21Ax-x-S236 |
| | | 1 of 1 | | |
| | | | | SIZE A4 |
| | | | | VER R |